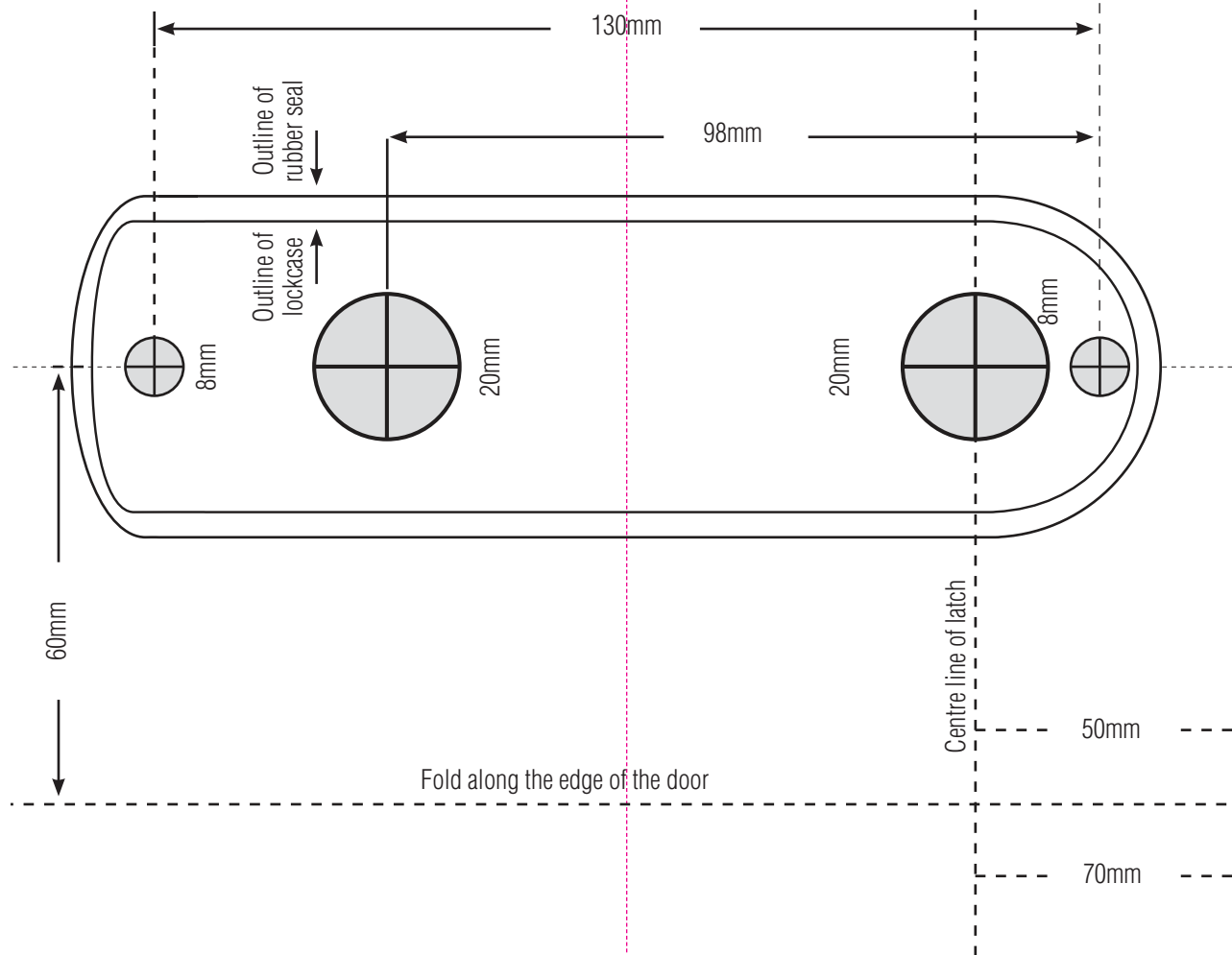
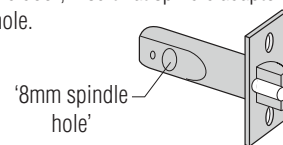


## TEMPLATE

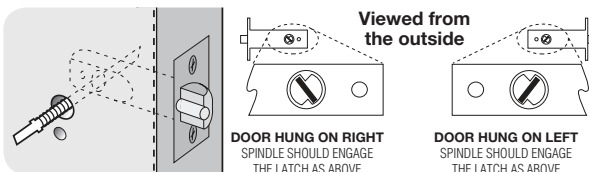


## 3. INSTALL SPINDLE ADAPTOR

- After installing latch into the door, insert flat spindle adaptor into latch's 8mm spindle hole.

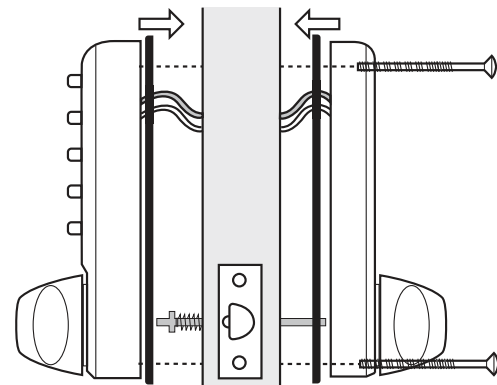


## 4. POSITIONING THE SPINDLE



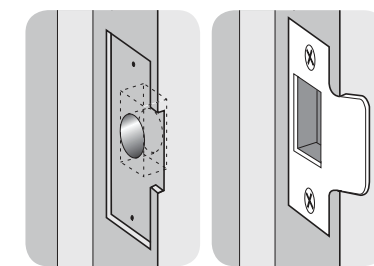
- The spring-loaded spindle will fit doors between 35mm and 65mm thick. For doors less than 50mm thick break off the 15mm section at the end of the spindle. For doors more than 65mm thick, ring the Helpline for advice. The spring keeps the spindle firmly engaged in the outside handle when the lock is assembled on the door.
- Insert the spindle, with the spring on the code side, through the 20mm hole in the door, and make sure that it engages the latch correctly for the hand of the door (see inset diagram).

## 5. FIXING THE LOCK

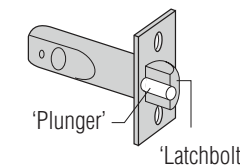


- Cut the fixing bolts to suit the door thickness, length of bolts measured beneath the bolt head should be door thickness **plus** 15mm. Use the pliers cutting jaws to crimp strongly several times around the bolt. The surplus end should now break off easily.
- Remove the battery cover from the back plate, and remove the battery pack. Apply the front plate over the spindle, passing the latch support post through the latch and the cable through the door. Place the back plate over the spindle, pull the cable through, and screw the fixing bolts through to the front plate.
- Using the inside knob check that the spindle moves freely, and that the latch retracts and projects smoothly. If it is tight, loosen the fixing bolts slightly and adjust the position of the back plate until the spindle will turn freely. Tighten the fixing bolts. Test the spindle again. **DO NOT** over-tighten the bolts as this may cause the door to distort and affect the lock function.
- Connect the cables, storing any excess within the door, then install the battery pack. Enter the Master Code, the blue light will flash and the outside knob will retract the latch.  
**DO NOT CLOSE THE DOOR UNTIL YOU ARE SURE THAT THE CODE WORKS.**

## 6. FITTING THE STRIKE PLATE



**NB** The plunger beside the latchbolt deadlocks the latchbolt and protects it against manipulation. IT MUST NOT enter the strike plate aperture when the door is closed.



- Ensure that there are no obstructions to prevent the door closing properly into its frame, such as litter trapped in the hinge side.
- Position the strike plate on the door frame so that it lines up with the flat of the latchbolt, **NOT THE PLUNGER**.
- Draw around the aperture of the strike plate. Chisel out the aperture 15mm deep to receive the latchbolt. Fix the strike plate to the surface of the frame with one screw only. Close the door and ensure that the latch bolt enters the aperture easily, and is held without too much 'play'. When satisfied, draw around the final position of the strike plate, remove it and cut a 1mm rebate to enable it to fit flush. Re-fix the strike plate with both screws.

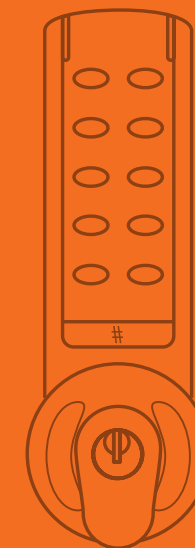
Allegion (Australia) Pty Ltd

Phone 1800 098 094  
Web [www.allegion.com.au](http://www.allegion.com.au)

Allegion (New Zealand) Limited

Phone 0800 477 869  
Web [www.allegion.co.nz](http://www.allegion.co.nz)

# Briton



## Briton 9360 Electronic Digital Lock

Installation Instructions

**ALLEGION**™

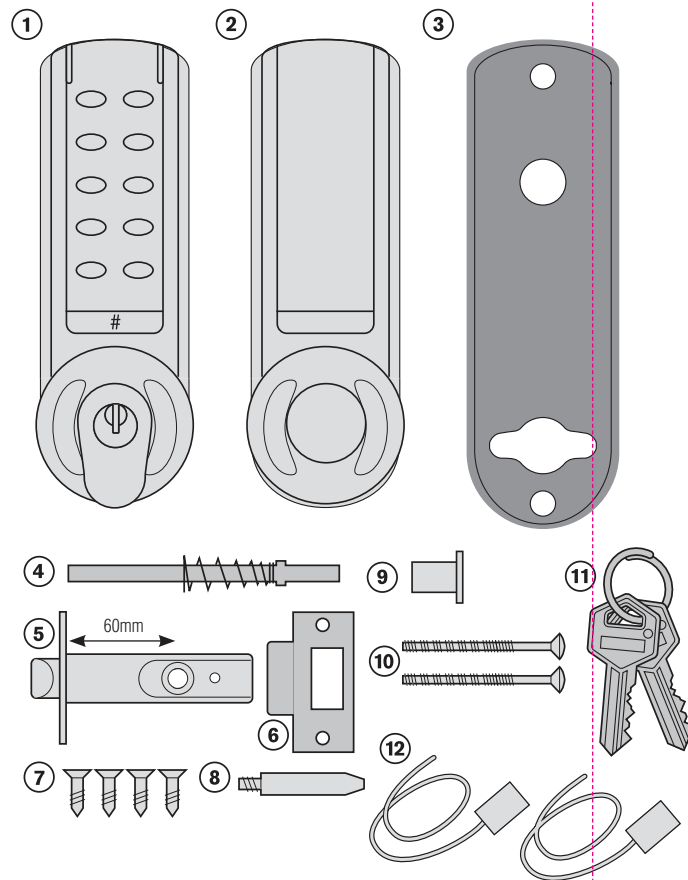
## MORTICE LATCHSET

## CONTENTS

1. Front plate
2. Back plate
3. Neoprene seals x 2
4. Spring loaded spindle
5. Latch 60mm backset
6. Strike plate
7. Wood screws x 4  
Use with latch & strike plate
8. Latch support post (only needed for alternate latches)
9. Spindle adaptor
10. Fixing bolts 3 supplied (spare x1)
11. 2 keys
12. Cable Connections for REM1 and REM2
13. 1.5v AA Batteries (x2)

### Tools required for installation

Power drill  
25mm, 20mm & 8mm drill bits  
Bradawl  
Philips screwdriver size 2  
Chisel - maximum 25mm  
Hammer/Mallet  
Stanley knife  
Adhesive tape  
Pencil  
Tape measure

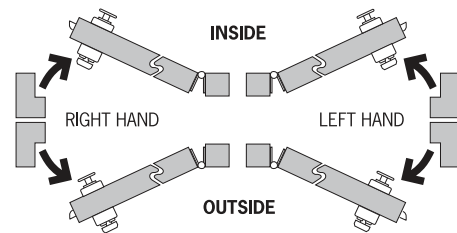


## SPECIAL NOTES

**You are advised to test lock (see below) and familiarise yourself with the instructions before starting work.**

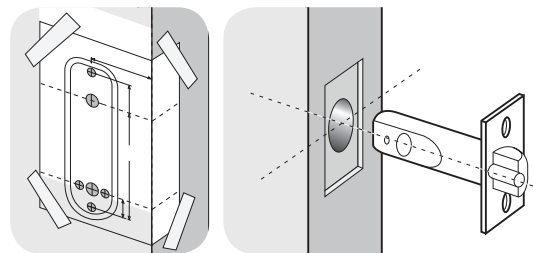
- Remove the battery cover from the back plate and install the 2 x AA cells supplied.
- Connect the cables from the front plate and back plate. A BLEEP should be heard when you do this. If no BLEEP is heard then check that the batteries are correctly installed.
- Enter the factory Master Code, 1234 (**note: when programming, # must prefix the Master Code**). The blue light will flash and the front knob can be turned using finger and thumb.
- Disconnect the cables.
- **Spindle adaptor** - The lock is supplied with a spindle adaptor (9) which is required to use the supplied Schlage latch. To use adaptor slide onto the flat spindle (4) making sure the spindle is at the correct angle to suit the hand of your door - **See note 4. Positioning the spindle.**

## 1. CHECK THE HAND OF YOUR DOOR



Viewed from outside, a door is right handed if the hinges are on the right, and left handed if the hinges are on the left.

## 2. APPLY THE TEMPLATE



- Crease the template along the line marked Door Edge, and tape it to the door. Fold along 50mm or 70mm if using alternative latch.
- Mark the 3 x 8mm holes and the 2 x 20mm holes. Mark the centre line of the latch in the middle of the door edge. Now apply the template to the other side of the door, aligning it with your first mark in the middle of the door edge. Mark the 5 holes again.
- Keeping the drill level and square to the door, drill holes from both sides to avoid splintering out of door face.

### Positioning and fixing the latch

- Mark a central point on the 'centre line of latch' on the door edge.
- Mark the depth of 85mm on the drill bit with tape to act as a visible depth limit. Drill a 25mm hole, 85mm deep, keeping the drill level and square to the door.
- Insert the latch into the hole, and with the edges parallel to the door, draw around the face plate.
- Remove the latch. Score the pencil line with a Stanley Knife to avoid splitting prior to chiselling. Chisel a 3mm rebate to fit the latch face flush to the door edge.
- Fix the latch with the wood screws, with the bevel towards the door frame.

## TEMPLATE

